

YUNT

Energy Storage Converter & Microgrid Hybrid System Expert

Shenzhen Yunt Digital Power Co., Ltd.

CONTENTS

1

Company Profile

2

Product Line

3

Application

01 Company Profile

A decorative graphic consisting of two overlapping triangles, one slightly offset to the right and down from the other, creating a sense of depth. A bright, glowing horizontal line runs across the base of the triangles, adding a modern, high-tech feel to the design.

Provider of energy storage converter and solutions

Shenzhen Yunt Digital Power Co., Ltd. focuses on **microgrid hybrid inverters**, commercial and industrial (C&I) energy storage, and **microgrid systems**. Concentrated on **inverter technology**, the company is committed to delivering efficient, safe, and modular products and system-level solutions for the global high-end C&I energy storage market.



Development History

2022

| Company Establishment

Shenzhen, China

2023

| C&I Energy Storage Inverter

The inverter products were launched to the market

2024

| Product Certification

The inverter obtained TUV + SGS system certifications

2025

| Market Recognition

China Top 5 module PCS Supplier in Domestic

Enterprise Qualifications

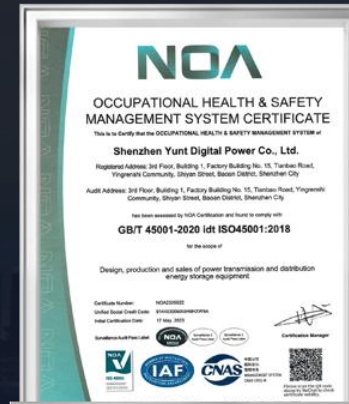
ISO-9001



ISO-14001



ISO-45001



National high-tech enterprise

R&D Strength

 **40+**
National patent

 **6+**
Software Copyright

 **16+**
Working Experience in Power Electronics R&D



Business Map



24/7 Around-the-Clock Support



3+ Service Centers



30+ Countries and Regions

Leading technology, guaranteed quality

Covering **30+** countries worldwide
Proven in **3,000+** real-world cases worldwide

IEC 62109

Austria OVE-Richtlinie R25+TOR

Germany VDE-AR-N 4105

UK G9911-10

IEC 62477

Spain UNE 217001 & NTS 631 V2.1

Germany VDE-AR-N 4110

CE-LVD&EMC

IEC 61000

Spain UNE 217002 & RD 217002

Germany VDE-AR-N 4120



Core Competencies



57%

R&D personnel



56%

Hi-Tech Talent





Market Recognition



Top 5 PCS Module supplier in domestic



Top 5 in 2024 China C&I Energy Storage PCS



2024 Emerging Star



Core Enterprise in China's New-Type Energy Storage Supply Chain



2024 China Energy Storage Industry - Excellence Award for PCS Supply



2025 Best PCS Supplier Award in China's Energy Storage Industry



2024 Excellent Product Award for New-Type Energy Storage



2025 "Polaris Cup" Energy Storage Technology Innovation Enterprise



2025 "Polaris Cup" Influential PCS Supplier in Energy Storage

Production Capability

20000 units

PCS module & others module

1.5 GW/year

C&I energy storage products



Major Partners



02 Product Line



Product Line

PCS & Hybrid Inverter



PCS Inverter



Hybrid Inverter

Others Cabinet



PV Cabinet



STS/ATS Cabinet

PCS Module



Air-cooling



Liquid-cooling

Other Module



STS
Module



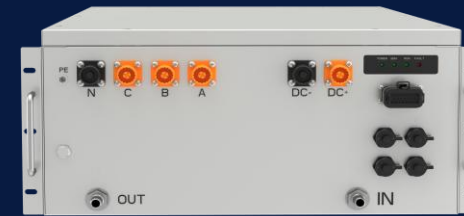
MPPT
Module

PCS Module

PCS Module



Air-cooling



Liquid-cooling

Model	Mars-100KT	Mars-110KT	Mars-125KT	Mars-100KT-LP	Mars-110KT-LP	Mars-125KT-LP
DC Side						
DC Voltage Range (V)				580-1000V		
Max Current (A)	173A	190A	216A	173A	190A	216A
AC Side						
Rated power (KW)	100KW	110KW	125KW	100KW	110KW	125KW
Max power (KW)	120KW	132KW	150KW	120KW	132KW	150KW
Rated Current (A)	145A	160A	182A	145A	160A	182A
Rated Voltage (v)				400V		
Communication mode	Ethernet /RS484/CAN					

STS Module



Support TN/TT/IT grid system



Switching time < 10ms



Standard modular design



Intelligent switch

Model	STS-120KS	STS-200KS	STS-250KS
Parameters			
Rated grid power (KW)	120KW	200KW	250KW
Rated grid current (A)	182A	304A	380A
Rated grid voltage (V)		380V/400V	
Switching time (ms)		10ms	
System parameters			
IP Level		IP20	
Communication mode		Ethernet /RS484/CAN	

MPPT Module



Support Multiple PV input



3U Standard Module design



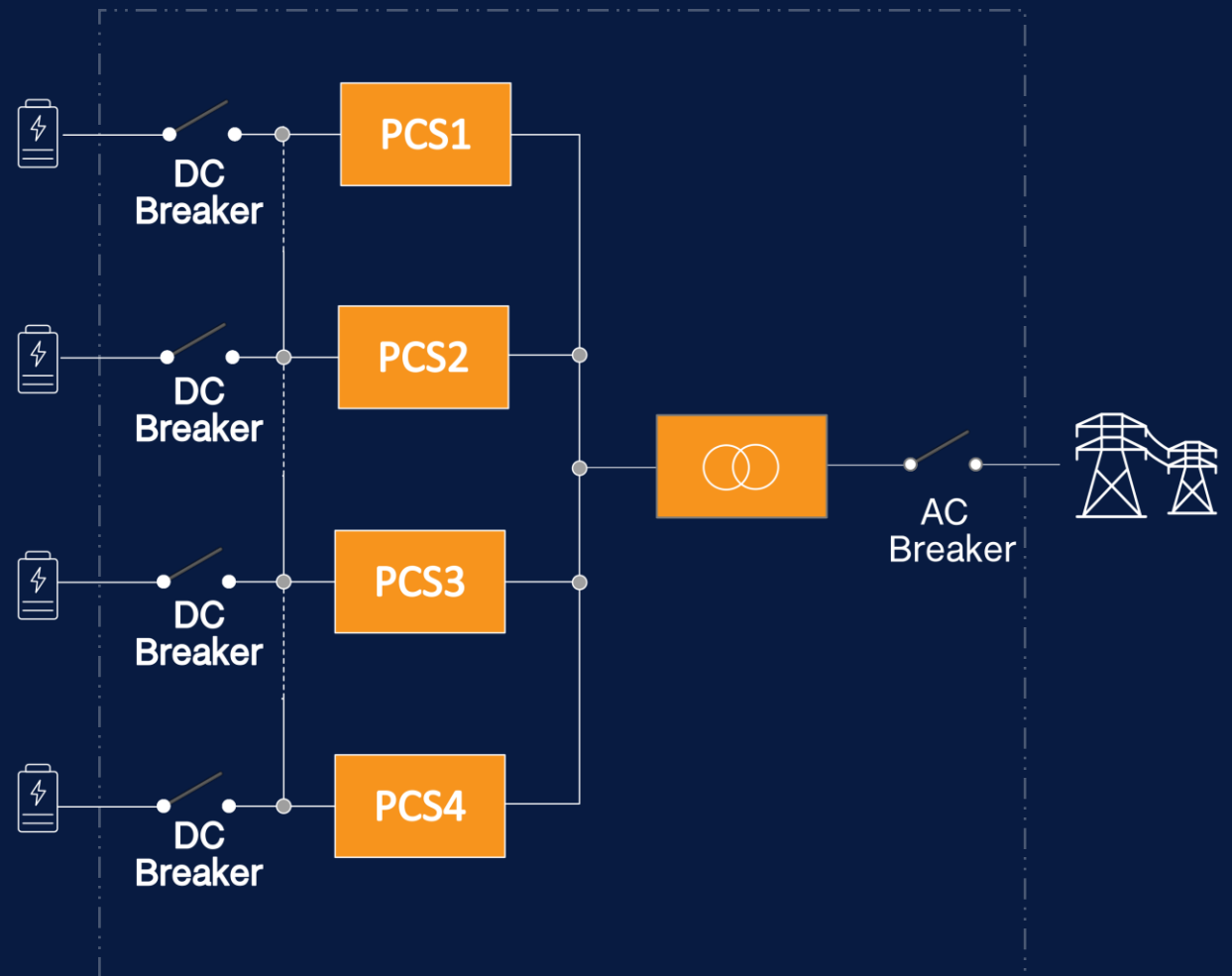
SiC-MOS advanced technology

Model	Mercury-40-PV	Mercury-50-PV	Mercury-60-PV
PV Voltage Side			
Rated Power (KW)	40KW	50KW	60KW
Rated Current (A)	120A	150A	180A
Voltage Range (V)		150-1000V	
DC Output Side			
Rated Power (KW)	40KW	50KW	60KW
Rated Current (A)	67A	83A	100A
Voltage Range (V)		350-1000V	
Full Power Voltage Range (V)		600-950V	

PCS Inverter



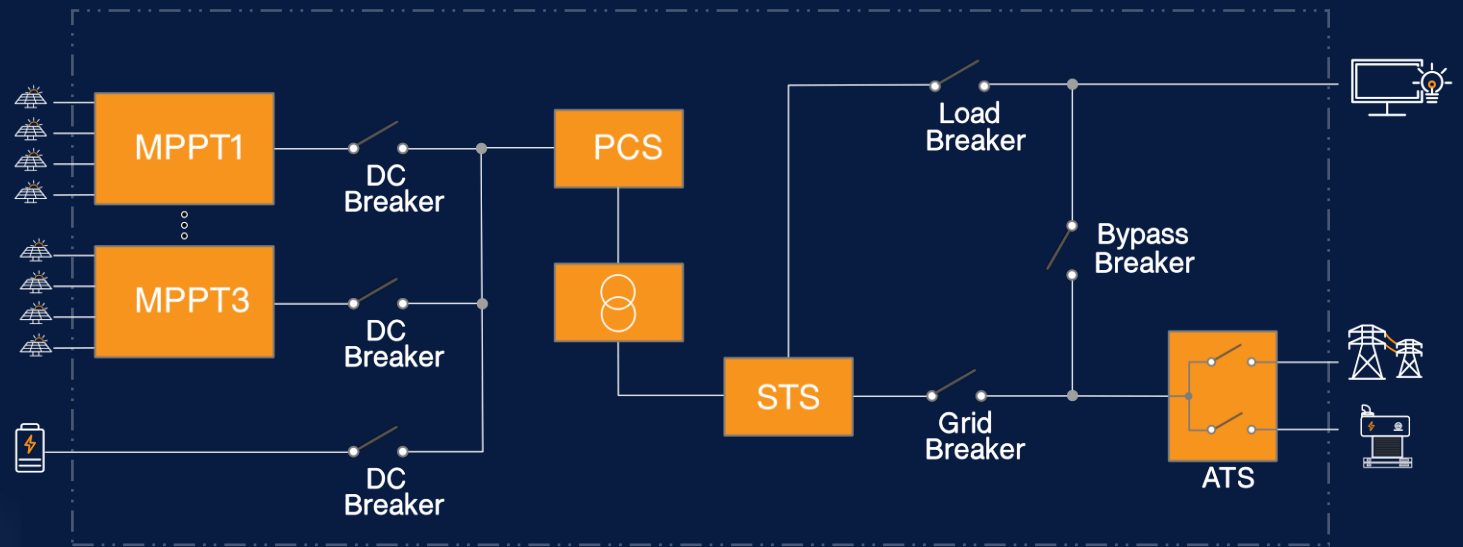
Neptune-P125/250/375/500



Hybrid Inverter



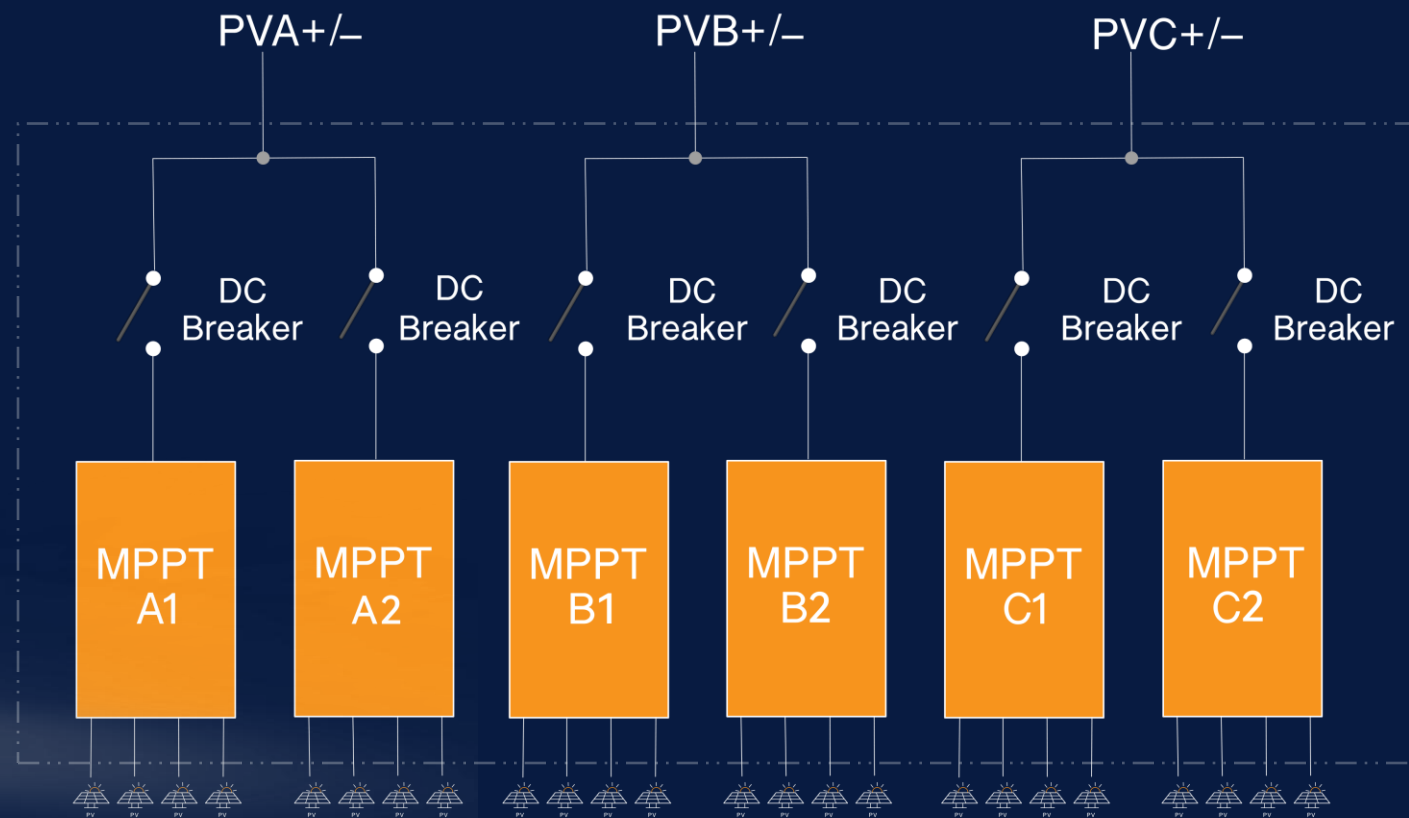
Neptune-H125K



PV Cabinet



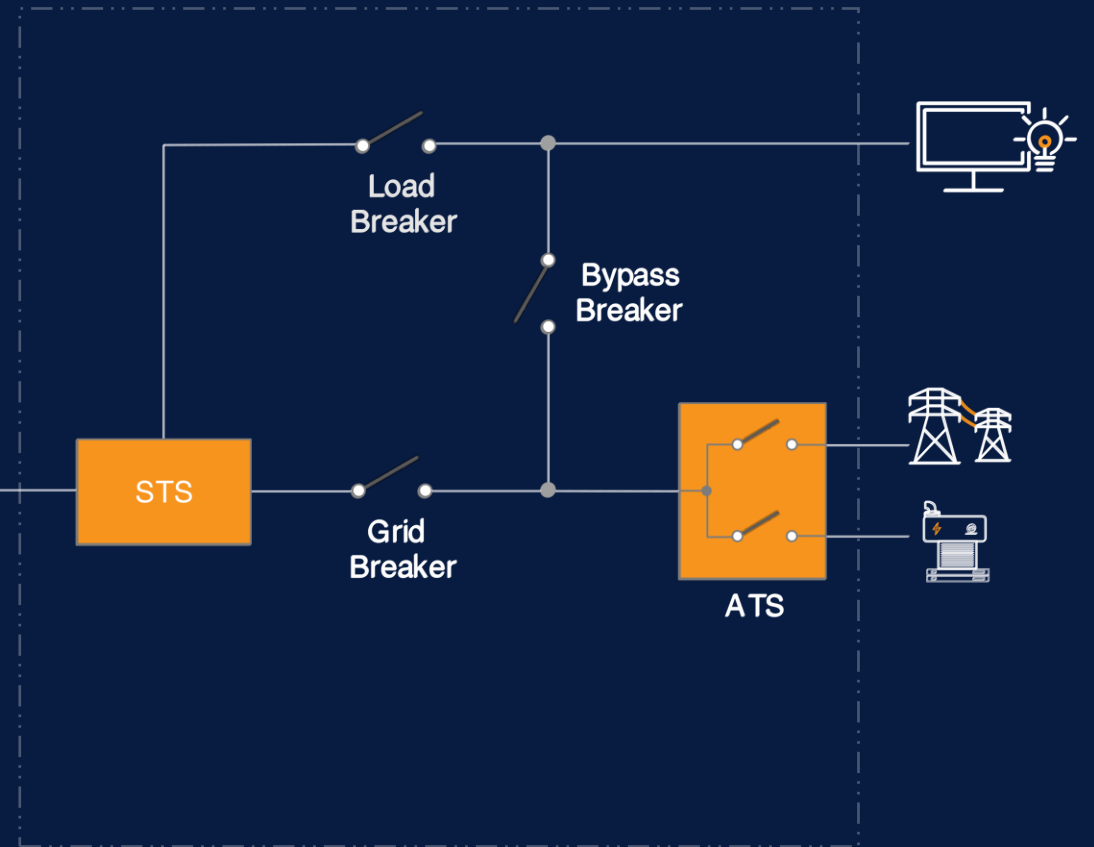
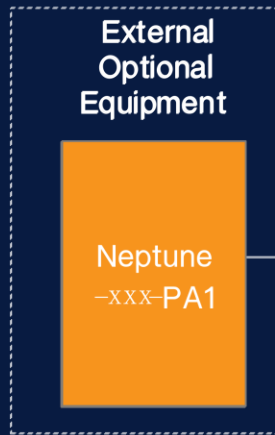
Neptune-M360P



STS/ATS Cabinet



Neptune-D500



03 Application



C&I Park



Reliable off-grid backup power solution

-  Location : Netherlands
-  Energy Capacity : 125 kW / 258 kWh
-  Product model : Mars-125KT



Reliable off-grid backup power solution

-  Location : Netherlands
-  Energy Capacity : 125 kW / 258 kWh
-  Product model : Mars-125KT



Off-grid switching with 4 STS modules in parallel

-  Location : Madagascar
-  Energy Capacity : 125 kW / 230 kWh
-  Product model : Mars-125KT、MPPT、STS

C&I Park



Reliable off-grid backup power solution

- 📍 Location : Tibet, Naqu
- 🔌 Energy Capacity : 125 kW / 258 kWh
- 📦 Product model : Mars-125KT



Diesel generator and energy storage complementary

- 📍 Location : Netherlands
- 🔌 Energy Capacity : 125 kW / 258 kWh
- 📦 Product model : Mars-125KT



PV-storage microgrid, DC coupling




- 📍 Location : Nigeria
- 🔌 Energy Capacity : 125 kW / 500 kWh
- 📦 Product model : Microgrid Hybrid Inverter



C&I Park






Full power operation at 1000V DC

-  Location : Guangdong
-  Energy Capacity : 125 kW / 258 kWh
-  Product model : Mars-125KT






Cluster-based management

-  Location : Ningbo, Zhejiang
-  Energy Capacity : 1MW/2MWh
-  Product model : Mars-100KT






Liquid-cooled PCS solution

-  Location : Ningbo, Zhejiang
-  Energy Capacity : 100 kW / 215 kWh
-  Product model : Mars-100KT

C&I Park






VSG mode for islanded and parallel operation

-  Location : Lianyungang, Jiangsu
-  Energy Capacity : 500kW/577kWh
-  Product model : Mars-125KT






Mobile Energy Storage Vehicle

-  Location : Jinhua, Zhejiang
-  Energy Capacity : 540kW/1MWh
-  Product model : Mars-125KT



High-rate Discharge

-  Location : Panjin, Liaoning
-  Energy Capacity : 60kW/194.5kWh
-  Product model : DCDC

C&I Park



Three-phase Unbalance

📍 Location : Chaozhou, Guangdong

🔌 Energy Capacity : 100kW/215kwh

📦 Product model : Mars-100KT



Second-life utilization of power batteries

📍 Location : Shenzhen, Guangdong

🔌 Energy Capacity : 200kW/480kwh

📦 Product model : Mars-100KT,DCDC



sodium-ion battery applications

📍 Location : Changzhou, Jiangsu

🔌 Energy Capacity : 300kW/577kwh

📦 Product model : Mars-100KT,MPPT,STS



▶▶ Thanks for watching!!

Visit our official website for more updates

Energy Storage Converter
& Microgrid Hybrid System Expert

Yunt Digital Power

YUNT